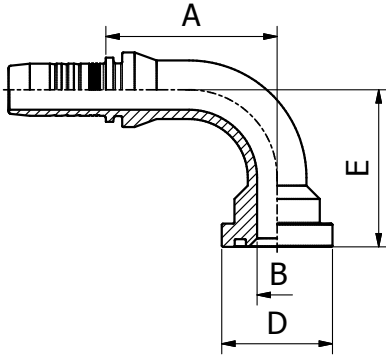


SAE STANDARD CONNECTIONS

M23691

90° ISO/SAE CODE 62 FLANGE
SAE J516 / ISO 12151-3



PART. REF.	HOSE BORE			FLANGE		DIMENSIONS mm					
	DN	Dash	inch	inch	B	A	D	E			
M23691-08-08	12	-8	1/2"	1/2"	9.3	54.5	31.8	45.0			
M23691-08-08040	12	-8	1/2"	1/2"	9.3	54.5	31.7	41.0			
M23691-08-12	12	-8	1/2"	3/4"	15.0	54.5	41.5	53.0			
M23691-10-08	16	-10	5/8"	1/2"	9.3	57.5	31.8	45.0			
M23691-10-12	16	-10	5/8"	3/4"	15.0	53.5	41.5	60.5			
M23691-10-16	16	-10	5/8"	1"	19.8	56.0	47.7	64.0			
M23691-12-08	19	-12	3/4"	1/2"	9.3	60.6	31.8	57.5			
M23691-12-12	19	-12	3/4"	3/4"	15.0	64.0	41.5	59.0			
M23691-12-16	19	-12	3/4"	1"	20.0	64.5	47.7	65.0			
M23691-16-12	25	-16	1"	3/4"	15.0	74.5	41.5	67.0			
M23691-16-16	25	-16	1"	1"	19.8	73.5	47.7	68.0			
M23691-16-20	25	-16	1"	1.1/4"	26.0	73.5	54.2	75.0			
M23691-20-16	31	-20	1.1/4"	1"	19.8	82.5	47.7	68.0			
M23691-20-20	31	-20	1.1/4"	1.1/4"	26.0	85.5	54.2	81.0			
M23691-20-20090	31	-20	1.1/4"	1.1/4"	26.0	85.5	54.1	90.0			
M23691-20-24	31	-20	1.1/4"	1.1/2"	32.0	85.5	63.7	91.5			
M23691-24-20	38	-24	1.1/2"	1.1/4"	26.0	105.0	54.2	91.0			
M23691-24-24	38	-24	1.1/2"	1.1/2"	32.0	106.0	63.7	94.5			
M23691-24-24104	38	-24	1.1/2"	1.1/2"	32.0	106.0	63.7	104.0			
M23691-24-32	38	-24	1.1/2"	2"	42.0	106.0	79.6	110.5			
M23691-32-32	51	-32	2"	2"	42.0	138.0	79.6	132.0			
M23691-32-32138	51	-32	2"	2"	42.0	138.0	79.6	138.0			